

Whisper Kit Installation

8-G (9-5250 & 9-5270)

This procedure is for the installation of the 8G Whisper Kit #711-3712-KT. Installation can be performed on either frame (below). Directions are identical once the old engine is removed. Please note that for illustrative purposes, significant portions of the unit in the images in this document have been removed.

Tools Needed:

- Ratchet
- 3/8" Deep Well Socket
- 1/2" socket
- 1/8" Allen Key
- Adjustable Wrench
- Flat-head Screwdriver
- Phillips Screwdriver
- Large Zip-tie or Velcro Strap
- Torque Wrench

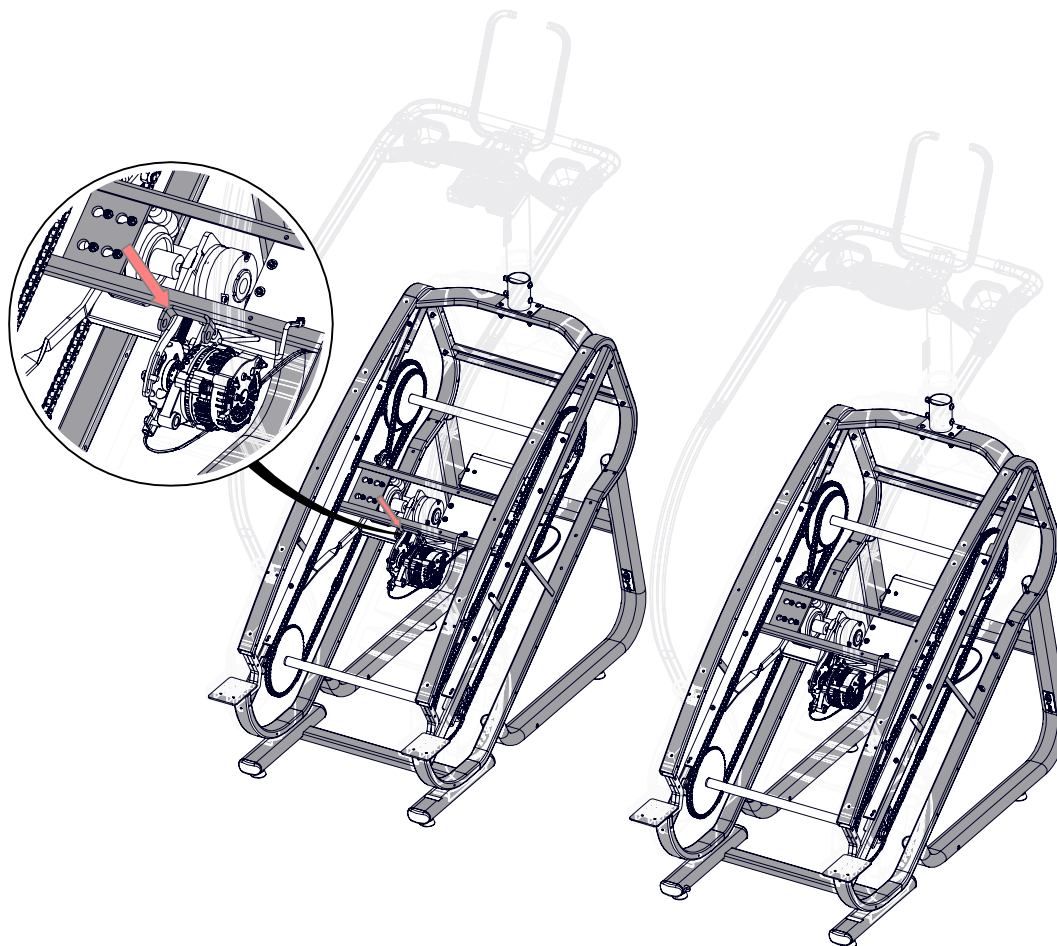


FIG. 1 - 8G Frame Comparison

The older frame can be identified by the bracket on the frame in the indicated location. Details on the different 8-G frame types may be found in document # [637-4514](#)

Procedure

1. Remove the five (5) shroud rivets 711-3285 from the lower right shroud 711-3295-XX, then remove the shroud. Rivets can be removed by hand, but a flat screwdriver may be helpful.

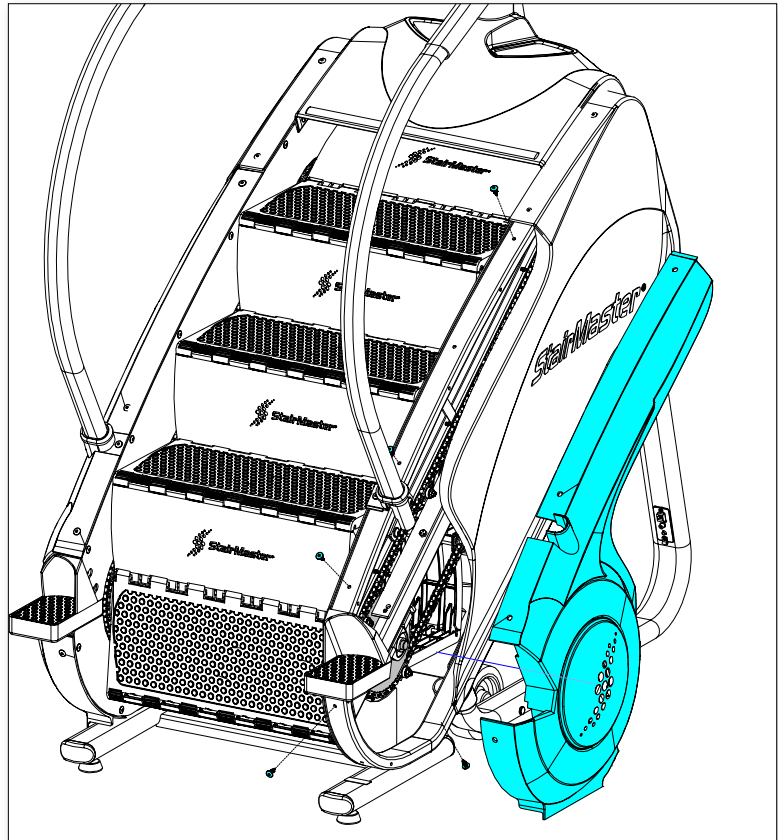


FIG. 2

2. Remove the screw 110-3623 securing the upper shroud 711-3295-XX to the frame. Screw is not externally visible.

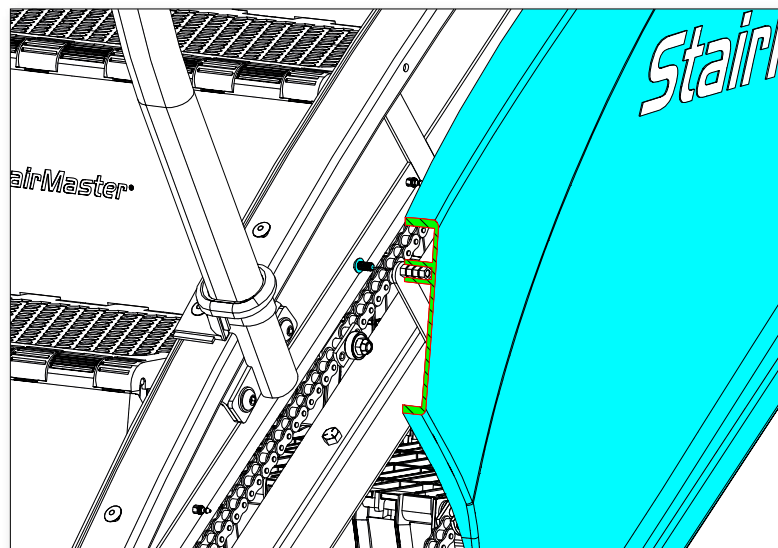


FIG. 3

3. Remove the four (4) shroud rivets 711-3285 from the upper right shroud then remove the shroud.
4. Repeat on user left to remove the left shroud.

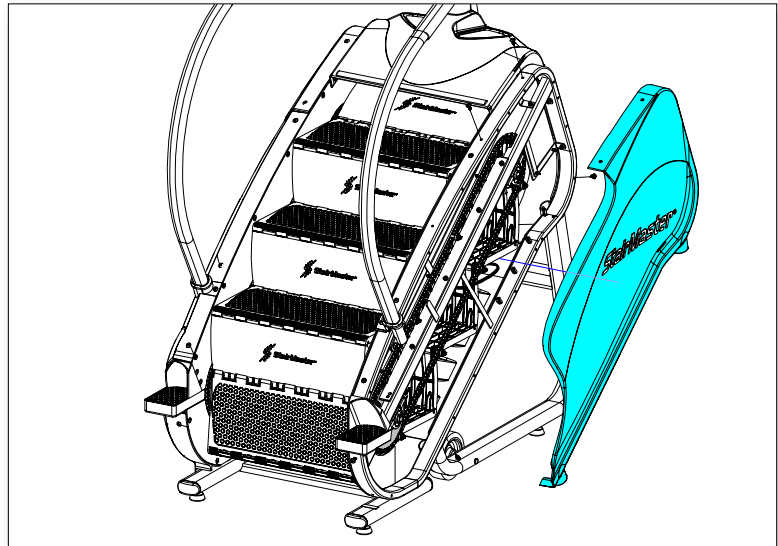


Fig. 4

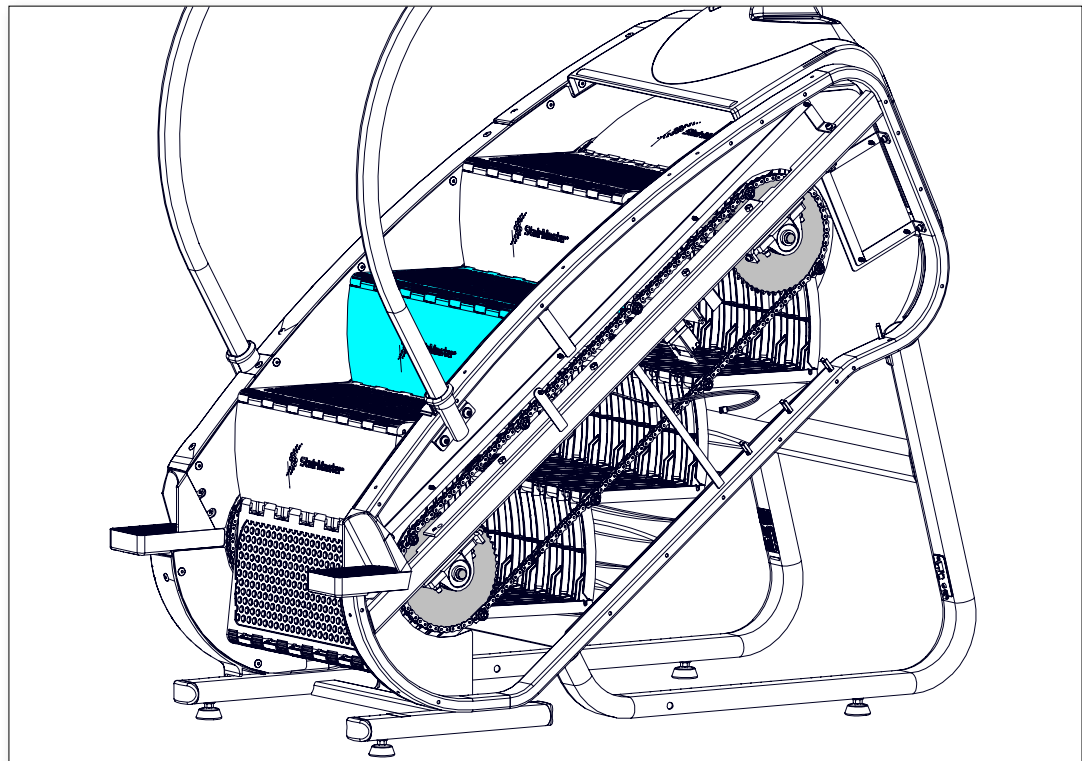


Fig. 5

5. If desired for access, removing the step pivot shaft of the central step to open the two indicated steps in Fig. 5 is an optional step.

6. Release spring 140-3491 from tension arm 711-3336, then walk drive chain 130-1792 off the gearbox pulley.

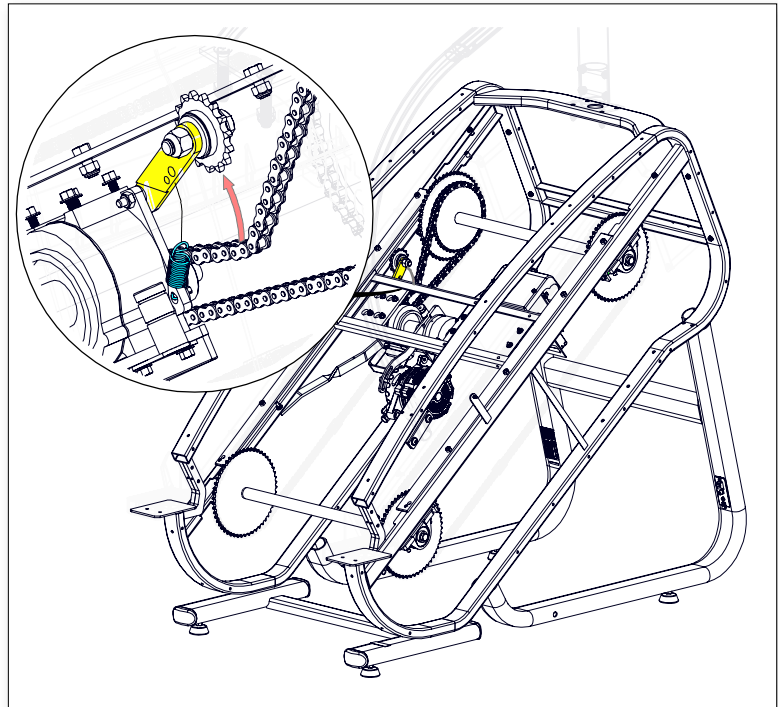


Fig. 6

7. Remove upper bolt 110-0575 and washer 120-0410 from nut 110-4123 on the transmission arm and set aside for the new installation.
8. Swing transmission arm out of the way.

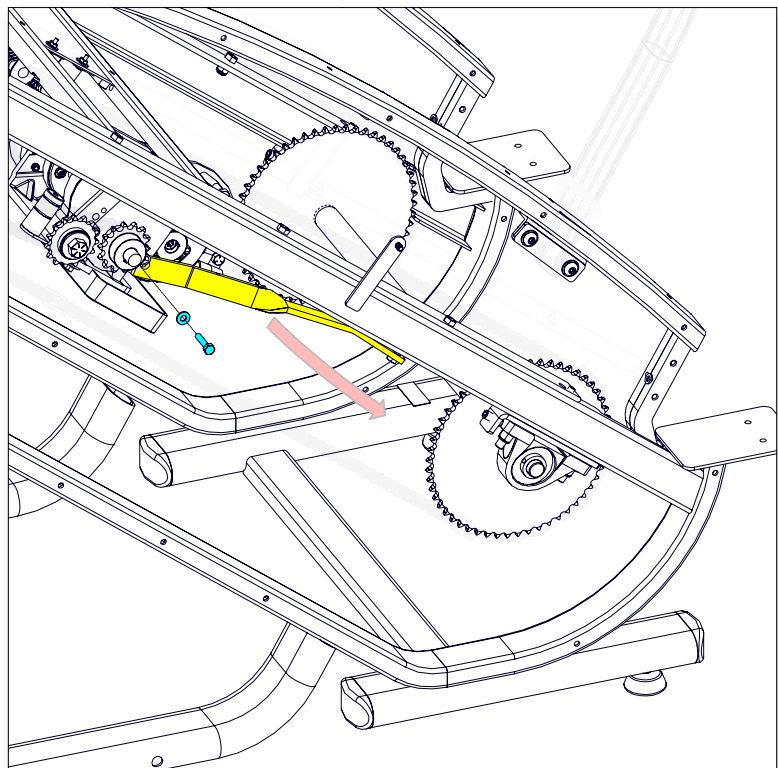


Fig. 7

9. On the user-right side, cut the two zip-ties as shown in Fig. 8 to move the brake.

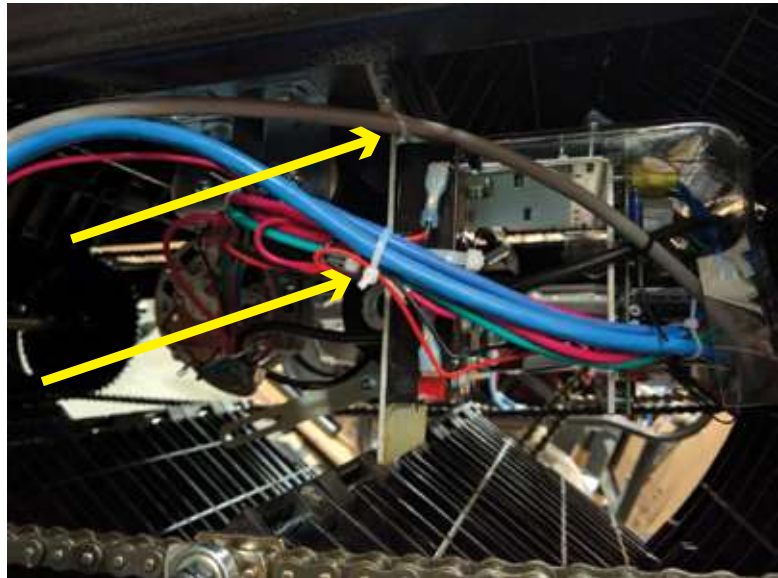



Fig. 8

10.  Before removing the old engine assembly, the brake and speed sensor must be unplugged from the lower control board as shown in Fig. 9.

Mylar LCB shield may be removed for easier access.



Fig. 9

11. Use a 7/16" socket to loosen the four (4) bolts 110-3708 securing the gear box to the frame. Once the bolts are loose, slide the gear box/alternator assembly towards the user left side and the assembly should drop free of the frame.

NOTE: On some older 9-5750 8-G's, the gear box bolts will need to be completely removed.



Caution: Assembly is heavy. It is recommended to use a strap to support assembly on the frame when removing as in [Fig. 11](#).

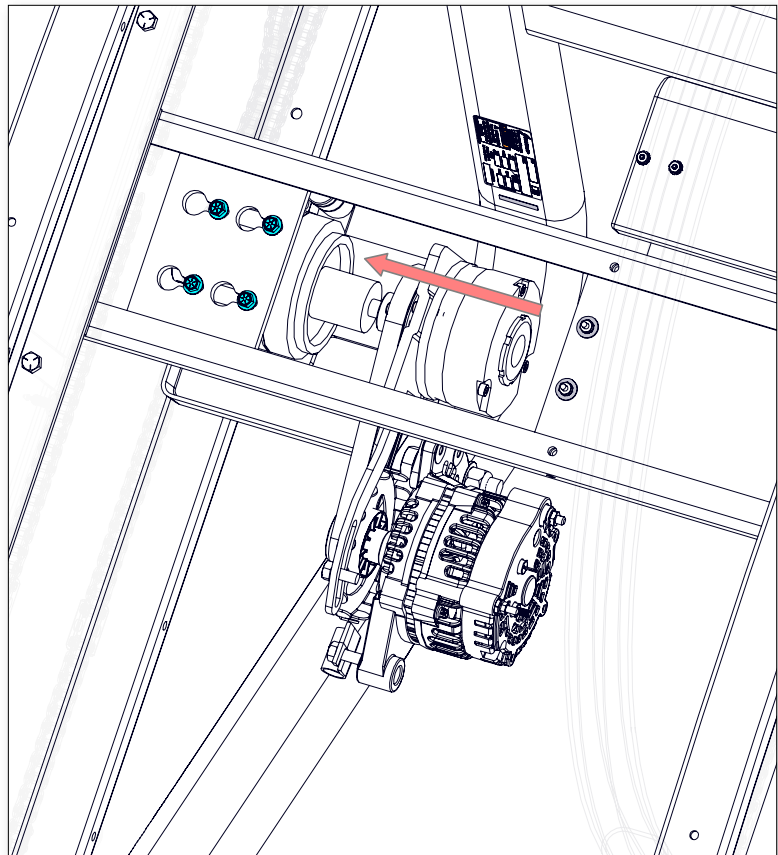


FIG. 10



FIG. 11

- 12.** Prior to installing the new kit, move the speed sensor 140-3501 and retaining bolt 110-3140 from the old engine to the kit.

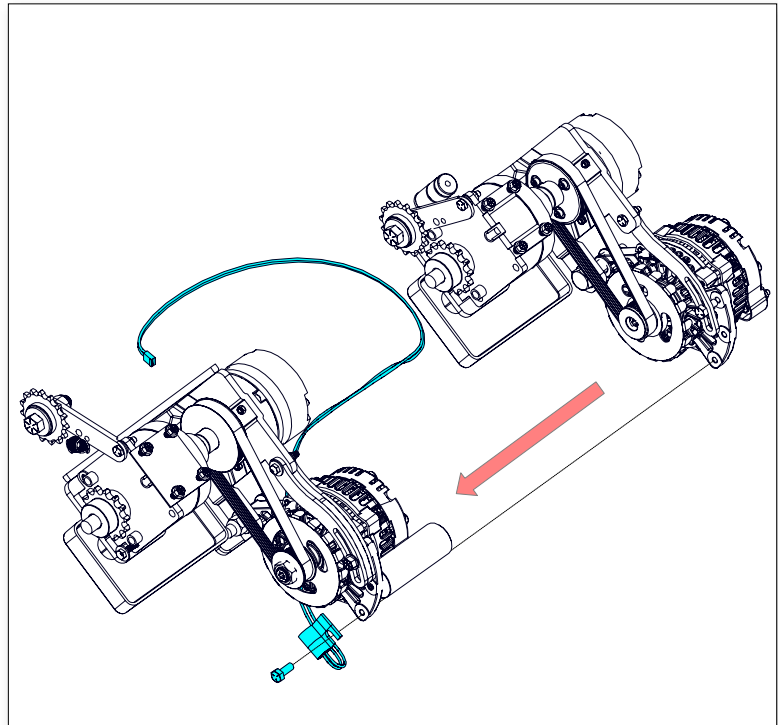


FIG. 12

- 13.** There should be a gap of appx. 3 mm between the speed sensor and the rpm disk. Adjust prior to install.

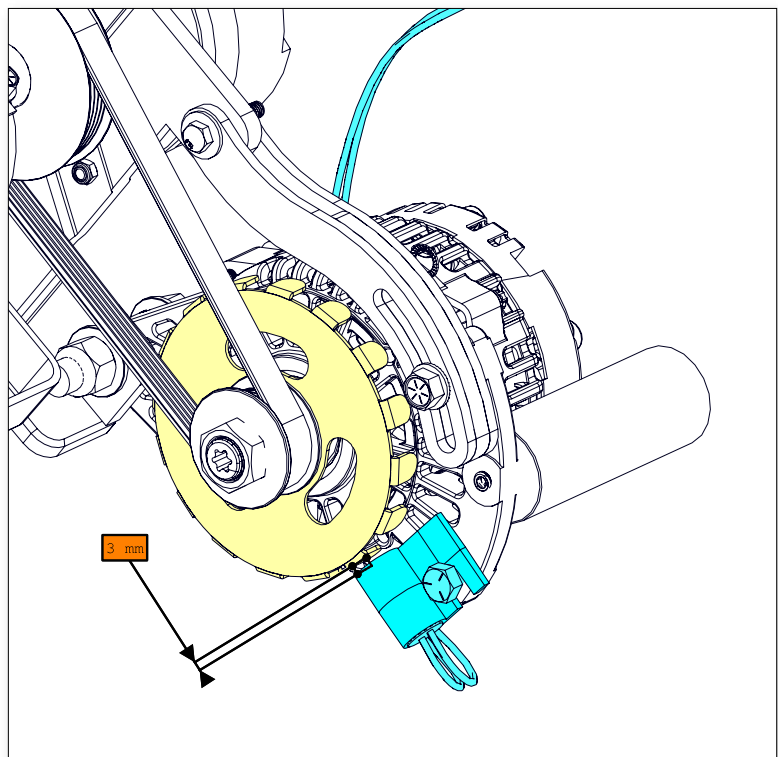


FIG. 13

14. With the four (4) bolts 110-3708 loose, raise the kit into the frame, then slide right. Do not fully tighten.

NOTE: On some older 9-5750 8-G's, the gear box bolts will need to be completely removed to be installed. For frames of this type, when installing, torque bolts to 10.8Nm (8 FT-LB) at this step.

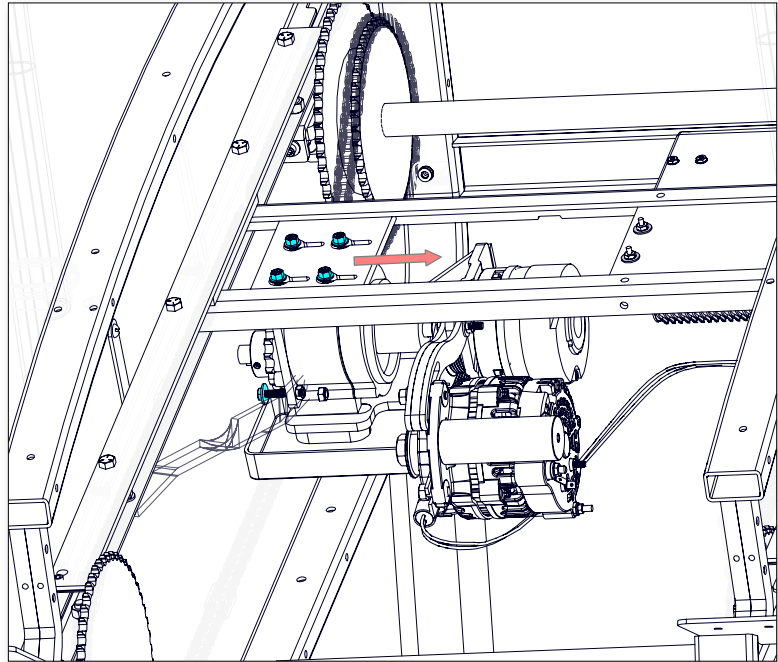


FIG. 14

15. Adjust kit left to right so that the drive chain is centered on the gearbox sprocket, then torque frame bolts to 10.8Nm (8 FT-LB)

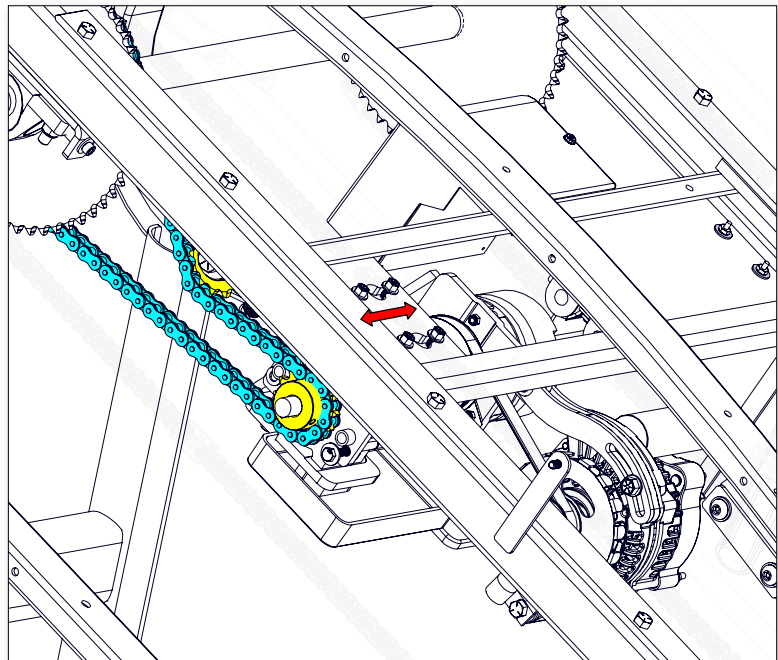


FIG. 15

16. Plug the alternator cable harness back into the alternator as shown.

- Blue to F
- Red to B+
- Green to B-

17. Plug brake & alternator cables into LCB.

18. Use new zip ties to bundle the brake cable with the alternator cable, and secure.

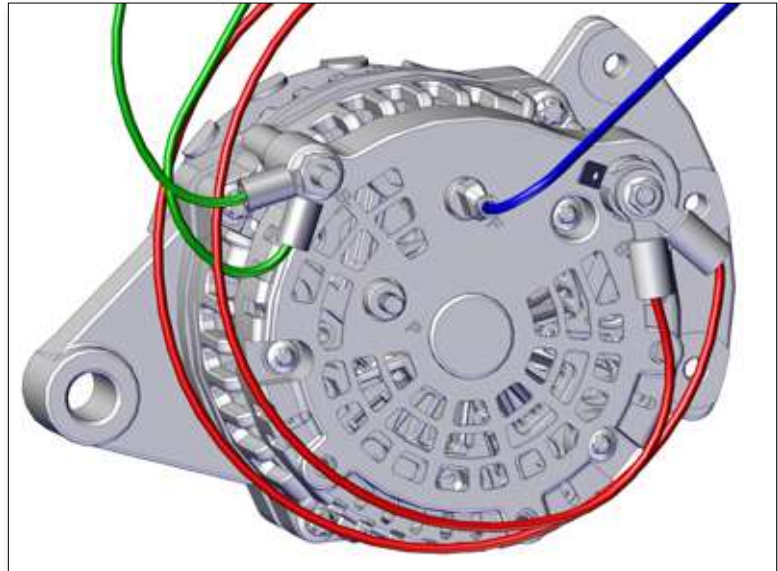


FIG. 16

19. Reinstall the transmission bracket with the hardware set aside in [step 7](#).

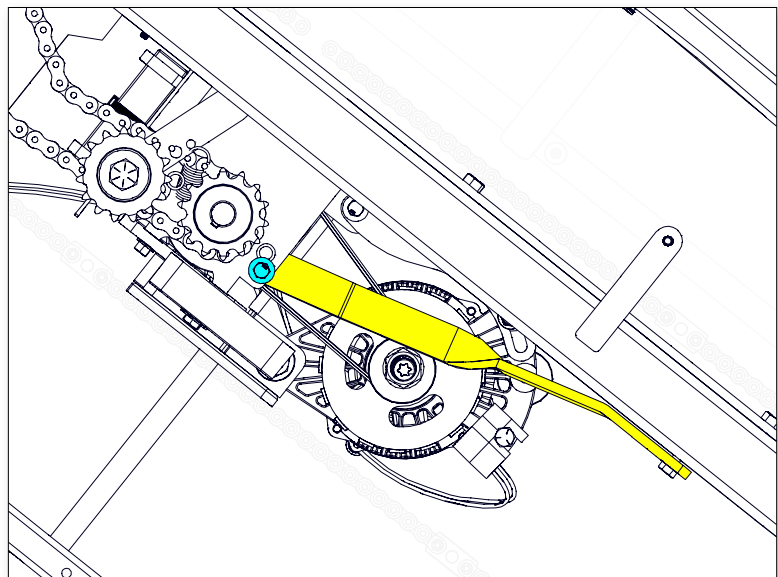



FIG. 17

20.  Before re-attaching shrouds, remove strap if used and insure all cables are zip-tied securely to frame.

21. Reinstall shrouds.

22. Use Quickstart to run the unit for 30 seconds at level 10 to test prior to returning unit to service.

THIS PAGE INTENTIONALLY LEFT BLANK